



**CB 246**

# LIST OF THE EXPLODED VIEWS



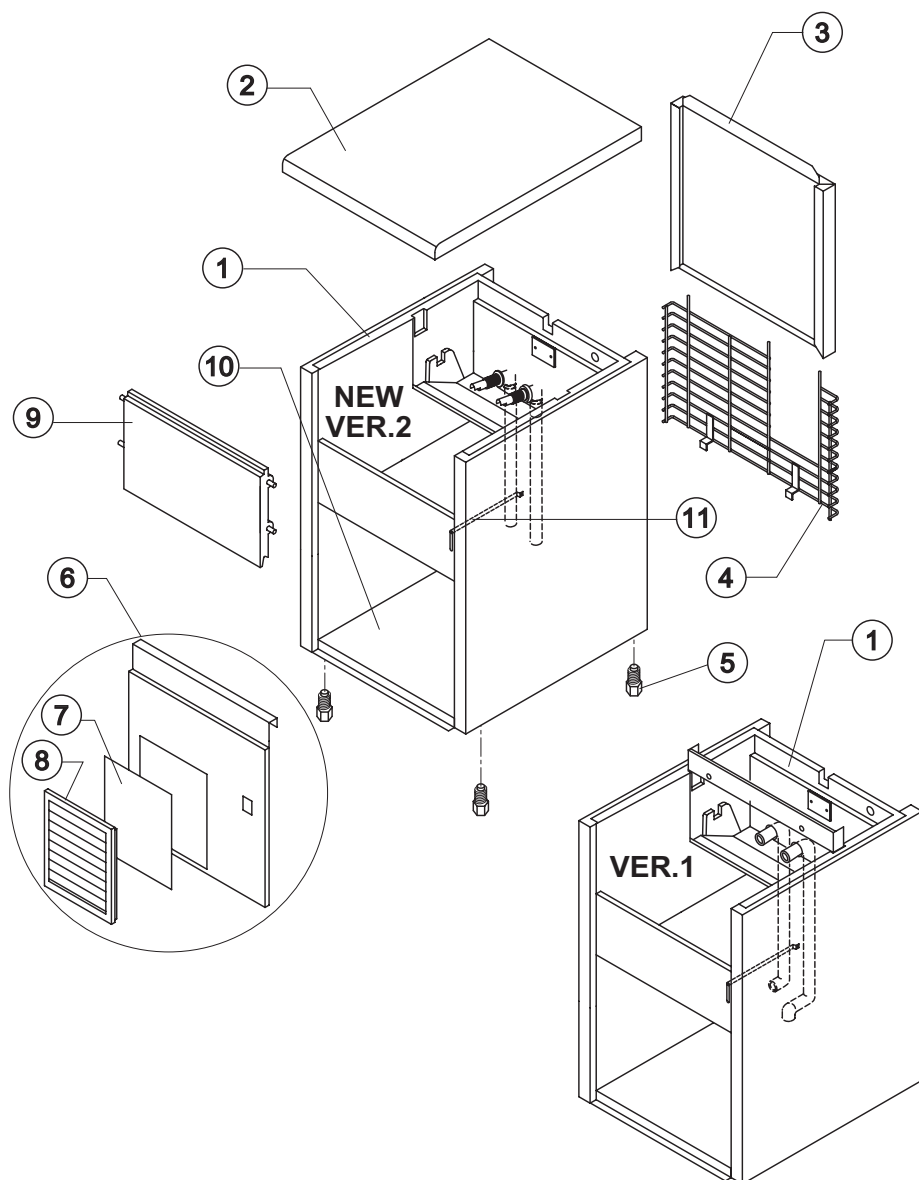
*SHELL ASSY*

*COOLING SYSTEM*

*HYDRAULIC CIRCUIT*

*ELECTRIC PARTS*

Rev. 6 - 24/07/2007



Rev. 6 - 24/07/2007

Ref.	Spare Description	Code
1	Foamed Cabinet Assy	See Table
2	Top Assembly	C22693
3	Rear Panel Assembly	C21180
4	Rear Grid	D12002
5	Foot	10017
6	Front Grid Panel	Current Version
6	Front Panel	Till s/n 28877
7	Filtering Panel	18106
8	Frame + Grid & Filter	C10205
9	Door Assembly	C10303
10	Base Plate	21001
11	Bulb-holder Pipe	20520

Ref. 1 - Foamed Cabinet Assy  
Version 1

Kind of Cube	Code
18 g. (Standard)	C11002/E
33 g.	C11002/E
13 g.	C11002/ED

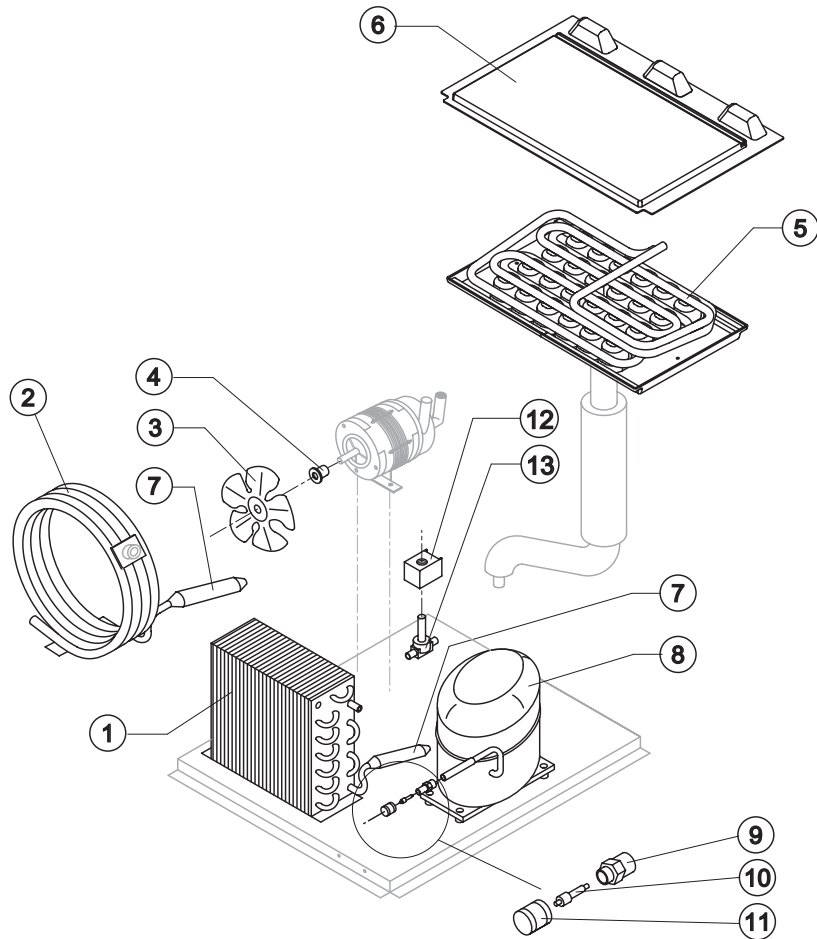
Ref. 1 - Foamed Cabinet Assy  
Version 2

Condensation	Code
Air	RC11002A
Water	RC11002W



# CB 246

# COOLING SYSTEM



### Common Parts

Ref.	Spare Description	Code
3	Sucking Fan	10213
4	Fan Fixing Hub	10014
5	Evaporator	See Table
6	Evaporator Cover Panel	Current Version
6	Evaporator Cover Panel	Till s/n. 225081
7	Molecular Drier	14009
8	Compressor	See Table
9	Vacuum-Charge Valve Body	14007
10	Vacuum-Charge Valve Device	14005
11	Vacuum-Charge Valve Plug	14006
12	Hot Gas Valve Coil	See Table
13	Hot Gas Valve Body	20410

### Parts For Air-Cooled Version Only

Ref.	Spare Description	Code
1	Air Condenser	Current Version
1	Air Condenser	Till s/n 104676

### Parts For Water-Cooled Version Only

Ref.	Spare Description	Code
2	Water Condenser	Current Version
2	Water Condenser	Till s/n 28525

### Ref. 5 - Evaporator

Kind of Cube	Code
18g. (Standard)	D10045
33 g.	D10320
13 g.	D10416

### Ref. 8 - Compressor

Tension	Code
T11	23436
T12	23494
T13	23446
T19	23446

### Ref. 12 - Hot Gas Valve Coil

Tension	Code
T11	23091
T12	23091
T13	23256
T19	23256



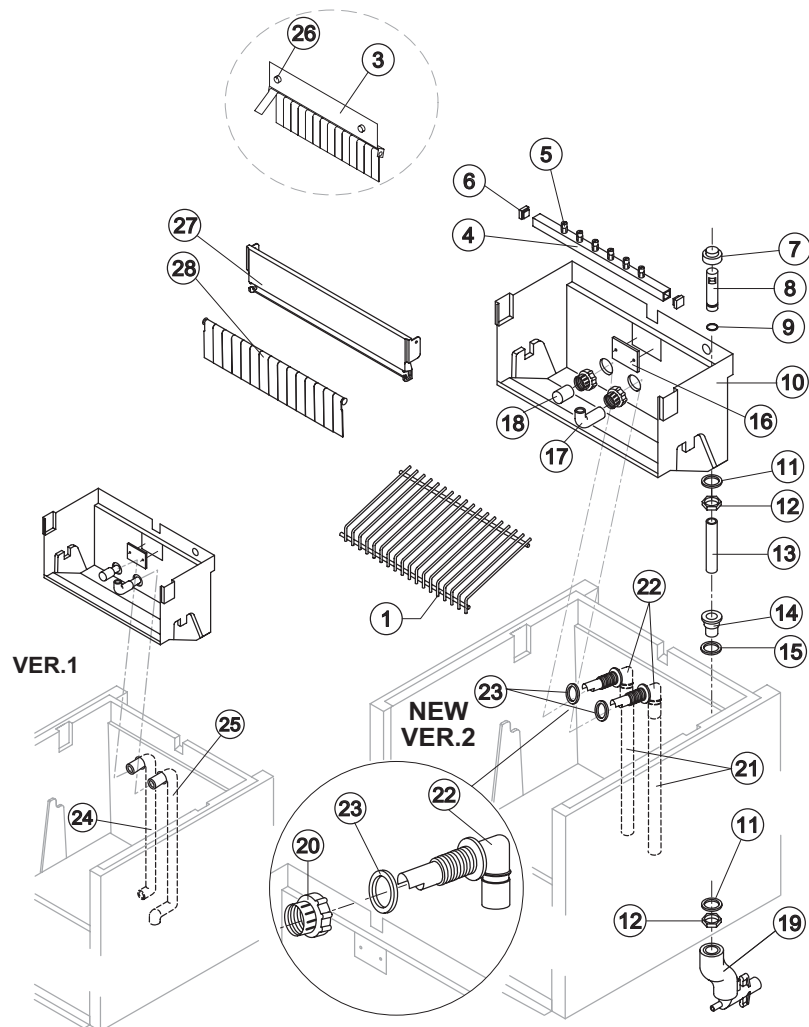
# CB 246

# HYDRAULIC CIRCUIT

## Common Parts

Ref.	Spare Description	Code
1	Ice Cubes Slide	See Table
3	Panel with Flags	Till s/n. 379503
4	Sprayers Bar Assembly	See Table
5	Sprayer	D20002
6	Sprayer Bar Plug	10012
7	Overflow Cap	10305
8	Overflow Pipe	10133
9	OR Gasket for Overflow Pipe	20233
10	Inner Basin	10252
11	Semirigid Polyethylene Gasket	13007
12	Bin Discharge Nut	10096
13	Overflow Pipe	Current Version
13	Overflow Pipe	Till s/n. 65042
14	Water Outlet Nipple	10472
15	Silicone Gasket	13006
16	Slide Keep Plate	10009
17	Sprayers Feeding Pipe	13005
18	Pump Suction Filter	20005
20	Fittings Locking Ring	Version 2
20	Fittings Locking Ring	10405
21	Pump Suction/Delivery Pipe	Version 2
21	Pump Suction/Delivery Pipe	13136
22	Fitting of the Pump Suction/Delivery Pipes	Version 2
22	Fitting of the Pump Suction/Delivery Pipes	10404
23	Gasket for Pump Suction/Delivery Pipes	Version 2
23	Gasket for Pump Suction/Delivery Pipes	13143
24	Pump Suction Pipe	Version 1
24	Pump Suction Pipe	13003
25	Pump Delivery Pipe	Version 1
25	Pump Delivery Pipe	13002
26	Fixing Screw	Till s/n. 379503
26	Fixing Screw	20009
27	Flags ABS Support	Current Version
27	Flags ABS Support	10529
28	Rod with Flags	Current Version
28	Rod with Flags	C10533

Rev. 6 - 24/07/2007



**Ref. 1 - Ices Cube Slide**

Kind of Cube	Code
18 g. (Standard)	D12001
33 g.	D12066
13 g.	D12046

**Ref. 4 - Sprayers Bar Ass.**

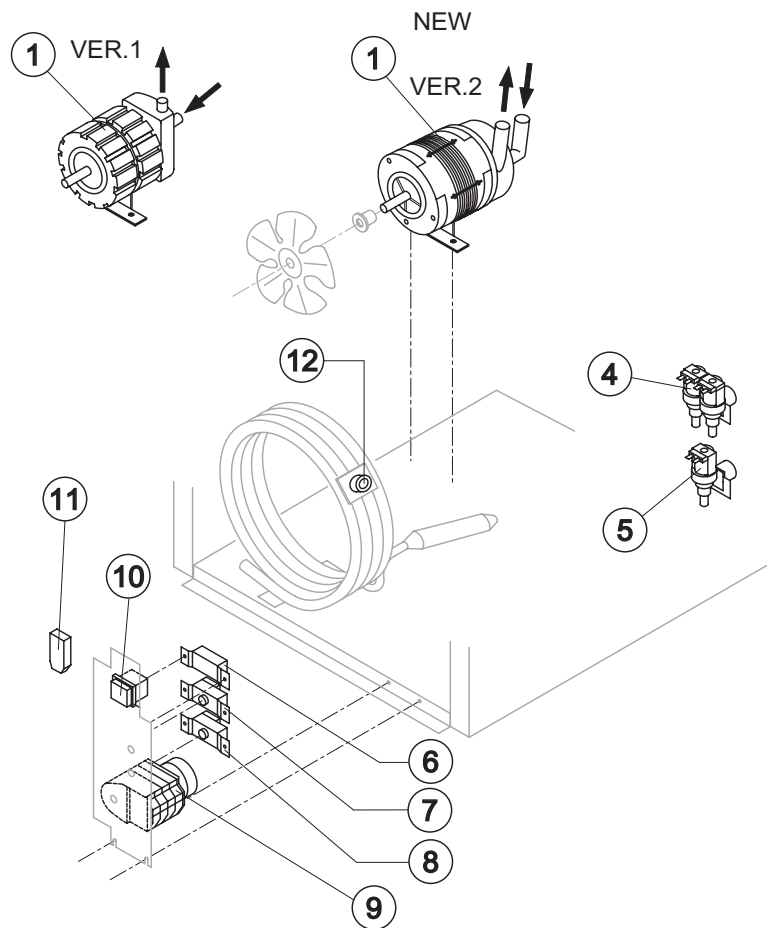
Kind of Cube	Code
18 g. (Standard)	C20028
33 g.	C20530
13 g.	C20289

## Parts for Air Cooled Version Only

Ref.	Spare Description	Code
19	Discharges Manifold	C10006

## Parts for Water Cooled Version Only

Ref.	Spare Description	Code
19	Discharges Manifold	C26452



### Common Parts

Ref.	Spare Description	Code
1	Pump	See Table
7	Bin Thermostat	R23005
8	Evaporator Thermostat	R23591
9	Timer	See Table
10	Green Light Switch (On-Off)	23327

### Parts for Air Cooled Version Only

Ref.	Spare Description	Code
5	1 Way- Water Inlet Valve	See Table

### Parts for Water Cooled Version Only

Ref.	Spare Description	Code
4	2 Ways Water Inlet Valve	See Table
6	Condenser Pressure Switch	See Table
11	Anti Radio Interference Filter	Only T11
12	Safety Thermostat	C23114

### Ref. 1 - Pump

Tension	Version 1	Version 2
T11	23002	23377
T12	23002	23377
T13	23264	23663
T19	-	23663

### Ref. 4 - 2 Ways- Water Inlet Valve

Tension	Code
T11	23542
T12	23542
T13	23592
T19	23592

### Ref. 5 - 1 Way- Water Inlet Valve

Tension	Code
T11	23497
T12	23497
T13	23499
T19	23499

### Ref. 6 - Cond. Pressure Switch

Tension	Code
T11	23175
T12	23175
T13	23175
T19	23680

### Ref. 9 - Timer

Tension	18 g Cube	33 g Cube	13 g Cube
T11	23222	23248	23247
T12	23248	23780	23247
T13	23259	23786	23258
T19	23259	23786	23258